

Product Overview



BG2108FA-4CH
Spec Sheet

DMXPRO



A compact and easy-to-use option, our **BG2108F-4CH DMXPRO** Receiver, is an **architectural grade** DMX512 & RDM Decoder capable of supporting universal DMX protocols. With integrated RDM capabilities, our **DMXPRO** Decoder allows one to re-address the decoder using an RDM capable controller or the **digital display** buttons. In order to achieve the best solution for the desired project, choose from different setting options including PWM output frequency, PWM output resolution, and selecting dimming curves. Conveniently send signals to multiple DMX Decoders and to a controller using the integrated easy wire-in DMX terminals in order to achieve limitless lighting solutions. Our **DMXPRO** Decoder is capable of handling up to **4 channels**, offering unmatched versatility and premium quality to achieve vivid color changing lighting projects with customized controls.

Quick Specs

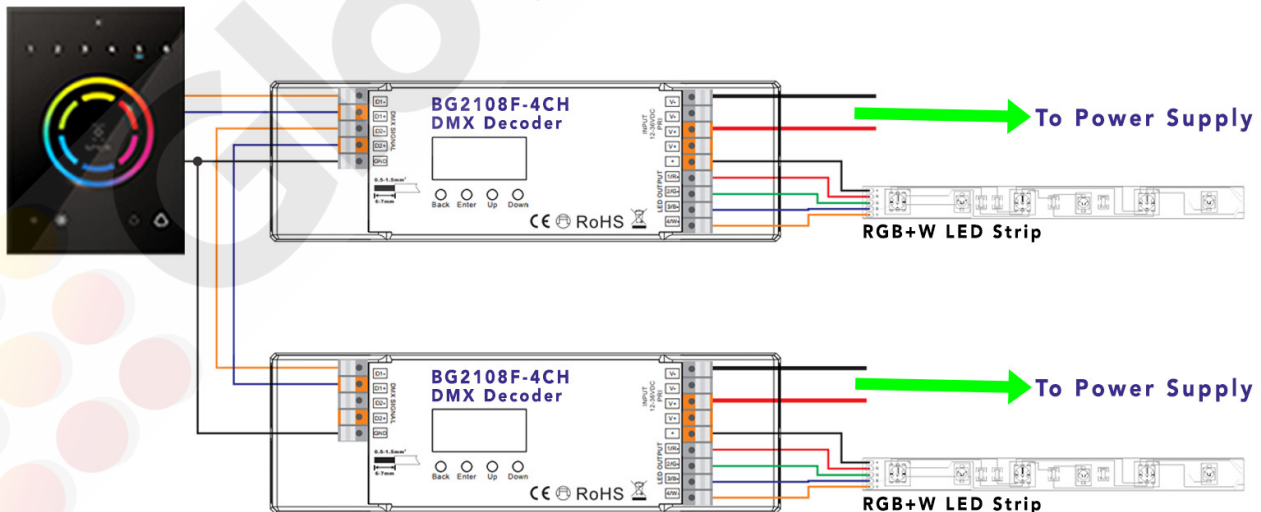
Product Code	BG2108FA-4CH
Dimensions	6.7" L 2.1" W 1.1" H
Wiring Terminals	Wire-in
Input Voltage	12-36VDC
Channels	4 Channels, 5A Per Channel
Output Power	4x 60-180W PWM Control
Warranty	3-Year Limited Warranty
Environment	Indoor/Damp Location
Listings	UL Recognized Component

Features

- **Digital** Display
- **4x 5A** Channels
- **Multiple Dimming Curve** Settings Available
- **Compatible with** White, RGB, and RGB+W Lighting
- **Set** Linear or Logarithmic Dimming
- **Bi-Directional** Communication (RDM)
- Optional **adjustable** decoding modes
- **Compact** design
- **Easy-Wire** Terminals

Wiring Diagram

DMX Controller



GlowbackLED®
16409 NW 8th Ave
Miami Gardens, FL 33169
1-800-679-4902 • info@bluegateinc.com

GlowbackLED® is a registered trademark of Bluegate Inc
©2018 Bluegate Inc. All Rights Reserved
Specifications subject to change without notice

